

LEXINGTON PRO (ISO LEGEND) EMERGENCY EXIT BOX INSTRUCTIONS

Issue 02 22nd December 2021

THANK YOU for buying this product. To help ensure it gives complete satisfaction please install it according to these instructions and then pass the instructions to the appropriate person for retention and future reference.

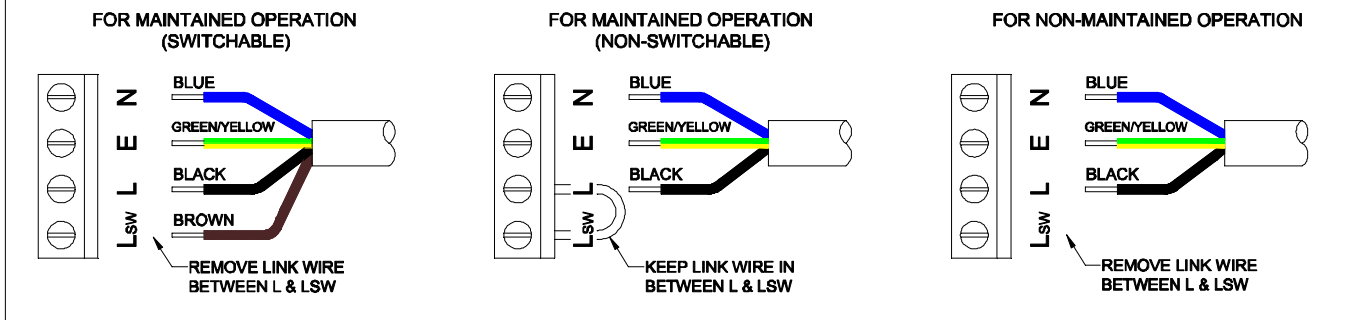
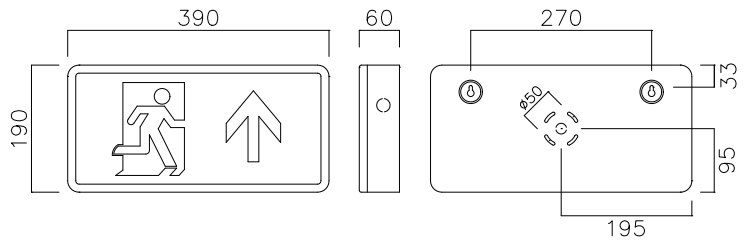
SAFETY This is a mains voltage powered luminaire. It is designed to be installed by suitably qualified personnel only and in accordance with the applicable building and electrical regulations. Before installation or maintenance, the electrical supply to the luminaire must be isolated.



INSTALLATION SUPPORT If installation advice or accessories are required, please contact us at the above address. When reporting a suspected fault or seeking installation support the problem is likely to be resolved more quickly if you have full product details to-hand, as well as details of when and where it was purchased.

LUMINAIRE INSTALLATION

1. Remove front frame & legend panel by unscrewing the two screws on the bottom face & hinging upwards to release the tabs on the top face.
2. Select a suitable fixing method to secure the base of the fitting to the chosen mounting surface, using the pierced in mounting points provided.
3. Select one of the available cable entry points (on rear or side faces) & knockout the metal tab if applicable.
4. Depending on which product you have, determine your required function & route appropriate power supply cable(s) to the terminal block & terminate as shown. **WARNING: THIS FITTING MUST BE EARTHED**



5. Connect the battery pack to the end of the LED strip by connecting the female socket on the battery wires to the male plug mounted on the PCB, ensuring the correct orientation.
6. Enter the "Installation Date" in the appropriate place on the battery pack label.
7. Fit the fuse (supplied in poly bag) into the fuse holder on the main PCB
8. Refit the front frame & legend panel & secure using the two screws. Change legend panel if different direction of arrow is required – These are available as separate items from NVC.
9. Connect the power supply & check that the green LED charge indicator mounted on the bottom face illuminates.
10. The batteries should be allowed to charge for at least 24 hours uninterrupted before carrying out a full discharge test to check that they are charging correctly & the rated duration is being achieved.

ALTERNATIVE LEGEND PANELS

This product comes as standard with the ISO legend. Alternative direction ISO legends & Euro legends are also available from NVC – Please contact your local supplier.

OPERATION / MAINTENANCE

1. **This unit is using Lithium Iron Phosphate cell (LiFeP04) in its battery pack. These batteries require close monitoring and protection circuitry to operate safely. This pack uses a dedicated protection built into the module unit. Ensure like for like batteries are used in any replacement maintenance.**
2. Nominal battery life is designed to be at least 4 years. The battery should be replaced when it no longer achieves its 3-hour rated duration.
3. **DO NOT INSULATION TEST.**
4. Ensure cleanliness of luminaires is maintained so as not to affect performance.

The luminaire operating temperature range is 0°C - +40°C.

TESTING FOR EMERGENCY LUMINAIRES

Recommended routine test procedures in line with BS 5266 & BS EN 50172:

Monthly Functional Test

- Simulate a mains supply failure by isolating the circuit (ensuring if it is safe to do so) or by way of a test key switch if fitted into the circuit.
- Do this for a period of time (usually 30s) to check that the light source illuminates from the battery supply.
- Once complete, ensure the normal supply is restored & that the green LED charge indicator illuminates.
- Log result/comments in the emergency lighting logbook.

Annual Discharge Test

- Simulate a mains supply failure by isolating the circuit (ensuring if it is safe to do so) or by way of a test key switch if fitted into the circuit.
- This should be for the full 3-hour rated duration.
- Check that the light source illuminates & remains illuminated for the full rated duration period.
- Once complete, ensure the normal supply is restored & that the green LED charge indicator illuminates.
- Log result/comments in the emergency lighting logbook.